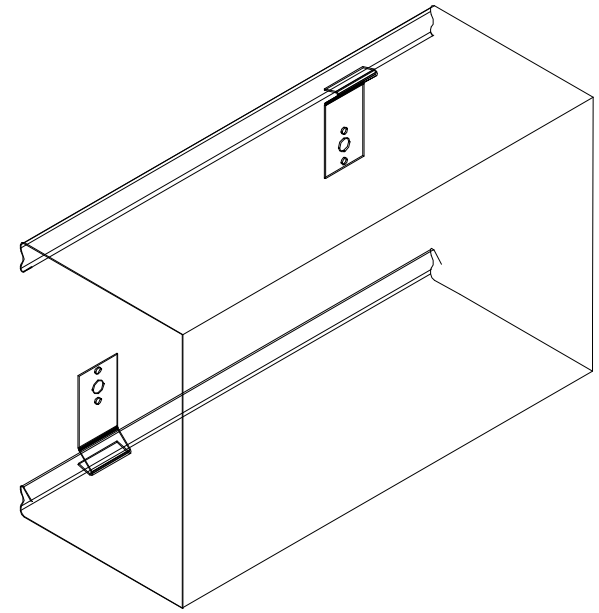
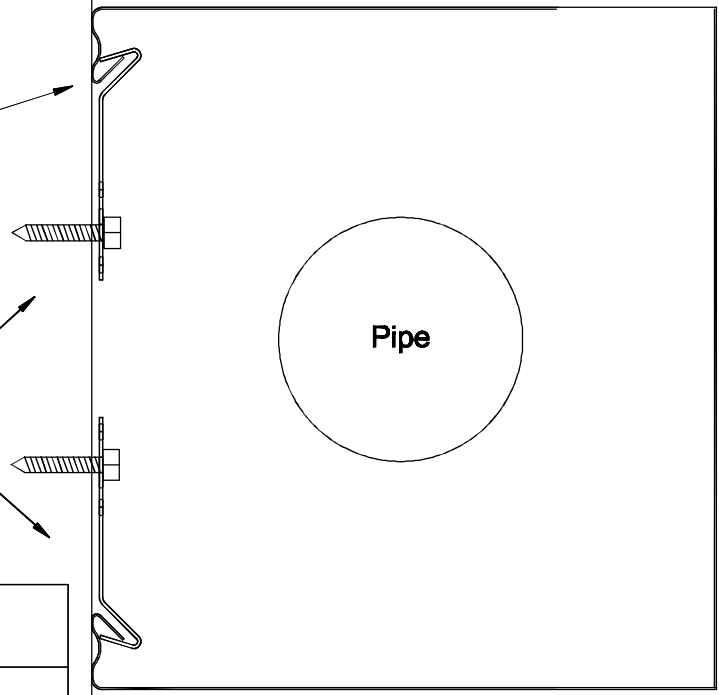


# Soffi-Steel® System U-Shield

Wall →

Place caulk in  
con-ceal-it groove  
after attached to  
wall or ceiling

Shield clips (attached  
into wall or ceiling,  
before "snapping"  
Soffi-Steel® cover onto  
clips)



JG Innovations, Inc.

U-shield & Attachment Clips

Drawn By: S.P.S.

The Soffi-Steel® System is protected by  
patent number 5,526,617; other patents pending.